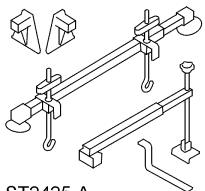
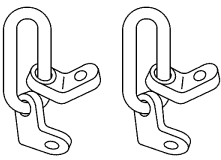


IN-VEHICLE REPAIR

Oil Pan

Special Tool(s)

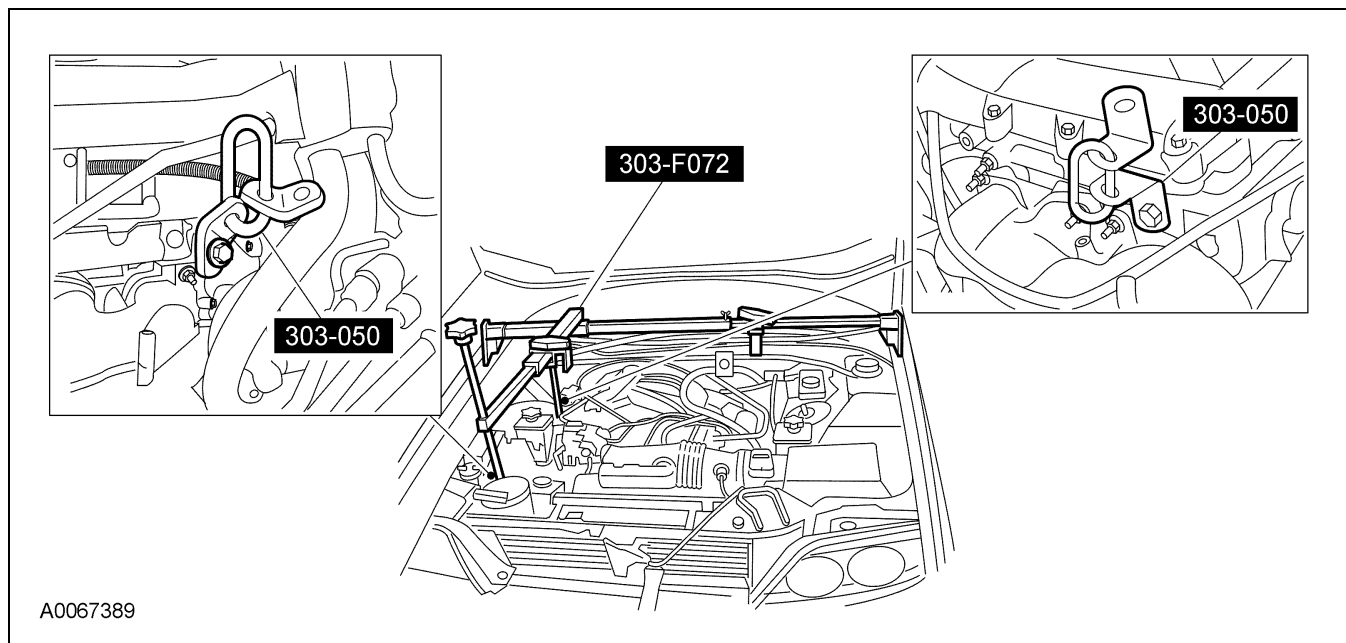
 <p>ST2425-A</p>	<p>Three-Bar Engine Support Kit 303-F072</p>
 <p>ST1595-A</p>	<p>Lifting Brackets, Engine 303-050 (T70P-6000)</p>

Material

Item	Specification
SAE 5W-20 Premium Synthetic Blend Motor Oil XO-5W20-QSP	WSS-M2C930-A
Silicone Gasket and Sealant TA-30 or equivalent	WSE-M4G323-A4
Metal Surface Cleaner ZC-21 or equivalent	WSE-M5B392-A

Removal

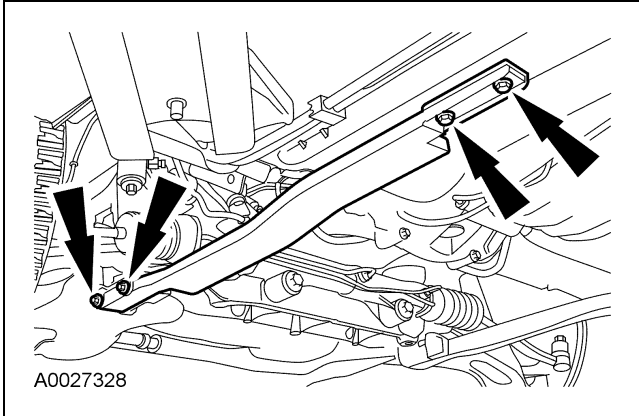
1. With the vehicle in NEUTRAL, position it on a hoist. For additional information, refer to Section 100-02.
2. Remove the radiator upper sight shield.
3. Remove the air cleaner assembly. For additional information, refer to Section 303-12.
4. Install the special tools.



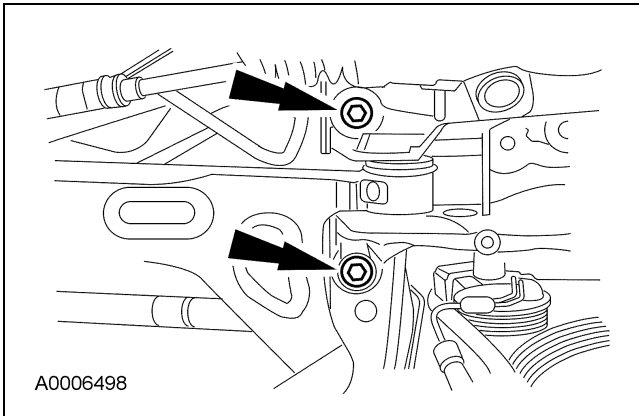
5. Remove the steering gear. For additional information, refer to Section 211-02.
6. Remove the RH front splash shield, the LH front splash shield and the front center splash shield.
7. Remove the generator. For additional information, refer to Section 414-02.
8. Remove the A/C compressor. For additional information, refer to Section 412-01.

IN-VEHICLE REPAIR (Continued)

9. Remove the oil pan drain plug and drain the engine oil.
 - Install the drain plug and tighten to 23 Nm (17 lb-ft).
10. Remove the 8 bolts and the 2 suspension crossmember I-braces.

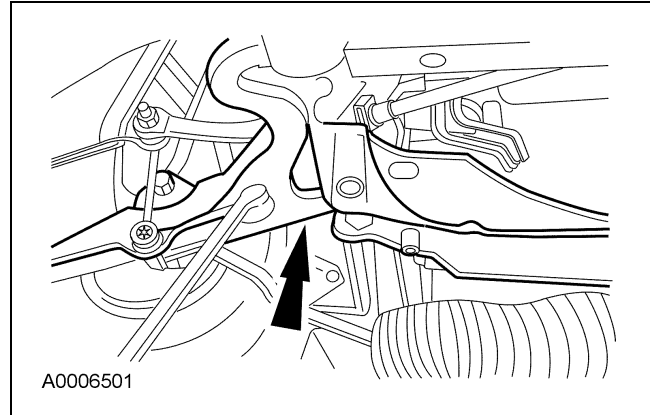


11. Remove the LH lower control arm through-bolt.
12. Remove the RH lower control arm through-bolt.
13. Remove the LH and RH engine mount-to-suspension crossmember nuts.
14. **NOTE:** LH shown, RH similar.
Remove the 4 suspension crossmember bolts.



15. Remove the transmission cooler tube bracket nut and position the bracket aside.
16. Remove the nut and detach the power steering pressure (PSP) tube bracket from the oil pan stud bolt.
17. Remove the 4 transmission-to-oil pan bolts.

18. Remove the 13 oil pan bolts and the 2 oil pan stud bolts.
19. Gently pry the crossmember down and remove the oil pan.
 - Remove and discard the oil pan gasket.

**Installation**

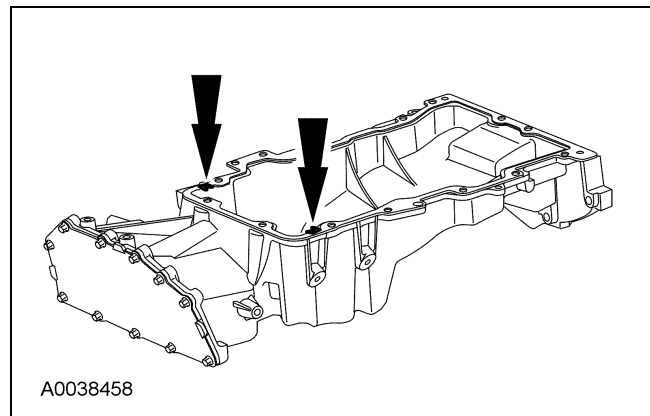
1. **CAUTION:** Do not use metal scrapers, wire brushes, power abrasive discs or other abrasive means to clean the sealing surfaces. These tools cause scratches and gouges which make leak paths.

Use a plastic scraping tool to remove all traces of the oil pan gasket.

- Clean all surfaces with metal surface cleaner.

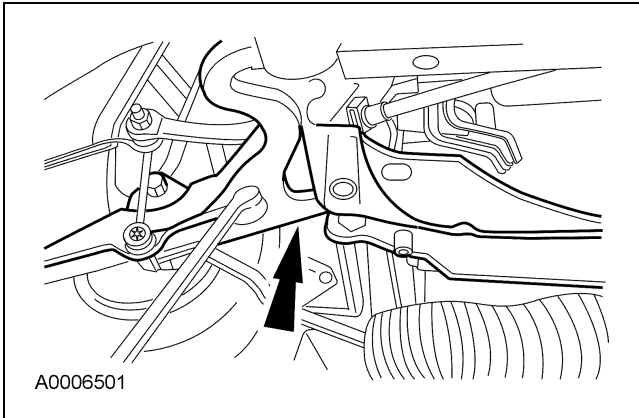
2. **CAUTION:** The oil pan must be installed and the bolts tightened within 4 minutes of the sealant application.

Apply a 10-mm (0.40-in) dot of silicone gasket and sealant to the oil pan gasket in the indicated positions.

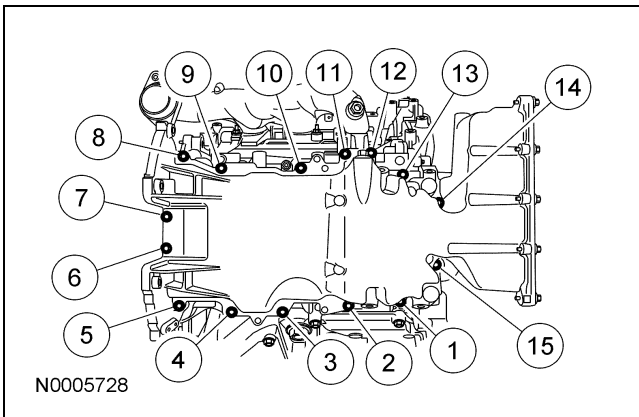


IN-VEHICLE REPAIR (Continued)

3. Gently pry the crossmember down and position the oil pan.



4. **NOTE:** Fastener No. 4 is a stud bolt.
Install the 13 oil pan bolts and the oil pan stud bolt.
- Tighten in the sequence shown to 25 Nm (18 lb-ft).



5. Install the 4 transmission-to-oil pan bolts.
- Tighten to 45 Nm (33 lb-ft).
6. Attach PSP tube bracket to the oil pan stud bolt and install the nut.
- Tighten to 8 Nm (71 lb-in).

7. Position the transmission cooler tube bracket and install the nut.
- Tighten to 10 Nm (89 lb-in).
8. Install the 4 crossmember bolts.
- Tighten to 104 Nm (77 lb-ft).
9. Install the LH and RH engine mount-to-suspension crossmember nuts.
- Tighten to 63 Nm (46 lb-ft).
10. Install the RH lower control arm through-bolt.
- Tighten to 175 Nm (129 lb-ft).
11. Install the LH lower control arm through-bolt.
- Tighten to 175 Nm (129 lb-ft).
12. Position the 2 suspension crossmember I-braces and install the 8 bolts.
- Tighten to 55 Nm (41 lb-ft).
13. Install the A/C compressor. For additional information, refer to Section 412-01.
14. Install the generator. For additional information, refer to Section 414-02.
15. Install the RH front splash shield, the LH front splash shield, and the front center splash shield.
16. Install the steering gear. For additional information, refer to Section 211-02.
17. Install the air cleaner assembly. For additional information, refer to Section 303-12.
18. Install the radiator upper sight shield.
19. Fill the engine with clean engine oil.